

*Cyclone*<sup>®</sup>

# Alito Collection

Wall Mounted Units





*The Fusion of Design and Performance*



### **SC-500** **WALL MOUNT**

Sometimes strength and beauty can co-exist. Strong and sturdy, yet attractive and unimposing, the SC-500 combines the eye-pleasing design of European hoods with the power and efficiency of North American fans. A perfect match. Give your kitchen the look, feel, and capability that you have always wanted. Fitted with time-delay "OFF" options up to nine minutes, bright halogen lights spaced for optimum light distribution, and a digital three-speed push button control panel.

Air Flow Volume:	550 CFM
Electrical Connection:	120V/60Hz
Electrical Consumption:	200 watts
Fan Speed:	1254 RPM
Colours:	Stainless Steel
Venting:	6" Round (Top Only)
Dimensions:	W:24"/30"/36" H: 60" D:20"



<b>Model #</b>	<b>Colour</b>	<b>Venting</b>	<b>Size</b>
SC-50024	Stainless Steel	6"	24"
SC-50030	Stainless Steel	6"	30"
SC-50036	Stainless Steel	6"	36"



*The Fusion of Design and Performance*



### SC-501

#### WALL MOUNT

A very stylish exhaust fan, it is the perfect balance of substance and style. The graceful contour of the arched glass canopy coupled with the brilliant shine of the stainless steel body give an impression that is at once both modern and classic. The hood features a digital three-speed control panel, button controlled halogen lights, two mesh filter screens, and a quiet, efficient motor. Fitted with time-delay "OFF" options up to nine minutes.

Air Flow Volume:	550 CFM
Electrical Connection:	120V/60Hz
Electrical Consumption:	200 watts
Fan Speed:	1254 RPM
Colours:	Stainless Steel
Venting:	6" Round (Top Only)
Dimensions:	W:30"/ 36" H: .60" D:20"



Model #	Colour	Venting	Size
SC-50130	Stainless Steel	6"	30"
SC-50136	Stainless Steel	6"	36"



*The Fusion of Design and Performance*



**SC-502**  
**WALL MOUNT**

This fan embodies the qualities and characteristics that will distinguish it and its predecessors from the competition. This handsome, tasteful hood is a wonderful complement to modern, upscale home décor. Features button controlled halogen lights and has a three-speed control panel. An attractive glass canopy broadly frames the mesh filters and blocks smoke and grease from staining the vent shaft. Quiet and extremely powerful the fan can draw air out of your kitchen with minimal sound. Fitted with time-delay off options up to nine minutes.

Air Flow Volume:	550 CFM
Electrical Connection:	120V/60Hz
Electrical Consumption:	200 watts
Fan Speed:	1254 RPM
Colours:	Stainless Steel
Venting:	6" Round (Top Only)
Dimensions:	W:30"/ 36" H: 60" D:20"



<b>Model #</b>	<b>Colour</b>	<b>Venting</b>	<b>Size</b>
SC-50230	Stainless Steel	6"	30"
SC-50236	Stainless Steel	6"	36"



*The Fusion of Design and Performance*

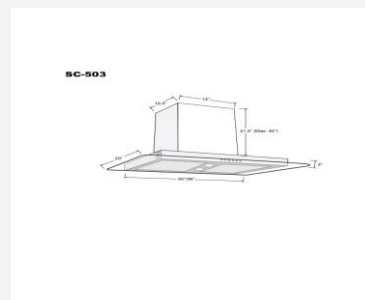


### SC-503

#### WALL MOUNT

Balanced and simple, the understated SC-503 is an attractive exhaust fan. The symmetry of the machine and rounded corners of the glass canopy give it a soft, appealing feel. For those who pursue superior quality and performance over flash and flamboyance. Fitted with time-delay off options up to nine minutes, bright halogen lights spaced for optimum light distribution, and a digital three-speed push button control panel.

Air Flow Volume:	550 CFM
Electrical Connection	120V/60Hz
Electrical Consumption:	200 watts
Fan Speed:	1254 RPM
Colours:	Stainless Steel
Venting:	6" Round (Top Only)
Dimensions:	W:30"/ 36" H: 60" D:20"



Model #	Colour	Venting	Size
SC-50330	Stainless Steel	6"	30"
SC-50336	Stainless Steel	6"	36"

# Cyclone®

*The Fusion of Design and Performance*

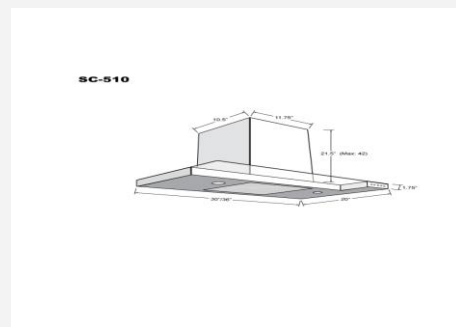


## SC-510

### WALL MOUNT

The SC-510 is sure to draw the attention of your guests with its unique style and design, lending an air of sophistication and luxury to your kitchen. An excellent compliment to an upscale modern kitchen environment. Fitted with time-delay "OFF" options up to nine minutes, bright halogen lights spaced for optimum light distribution, and a digital three-speed push button control panel.

Air Flow Volume:	550CFM
Electrical Connection:	120v/60hZ
Electrical Consumption:	200 watts
Fan Speed:	1254 RPM
Colours:	Stainless Steel
Venting:	6" Round (Top Only)
Dimensions:	W:36" H: 60" D:20"



Model #	Colour	Venting	Size
SC-51030	Stainless Steel	6"	30"
SC-51036	Stainless Steel	6"	36"



*The Fusion of Design and Performance*

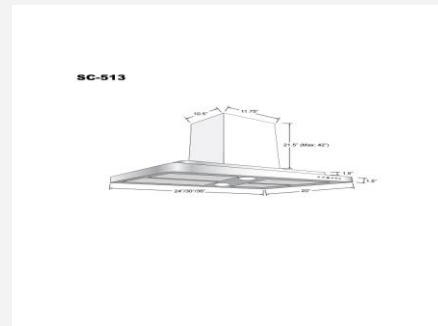


Photo of island model. Canopy model has two filters only.

**SC-513**  
**WALL MOUNTS**

Features four mesh filters in opposing corners, two bright halogen lights, digital control and a straight edge stainless steel frame. This is a quality fan for cooks who demand performance. Fitted with time-delay off options up to nine minutes.

Air Flow Volume:	550CFM
Electrical Connection:	120V/60Hz
Electrical Consumption:	200 watts
Fan Speed:	1254 RPM
Colours:	Stainless Steel
Venting:	6" Round (Top Only)
Dimensions:	W:36" H: 60" D:24"



<b>Model #</b>	<b>Colour</b>	<b>Venting</b>	<b>Size</b>
SC-51324*	Stainless Steel	6"	24"
SC-51330	Stainless Steel	6"	30"
SC-51336	Stainless Steel	6"	36"

\* Not a regular stock item. All special orders need to be placed three months in advance.



*The Fusion of Design and Performance*

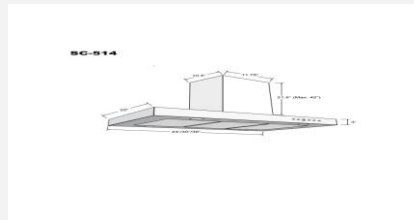


Photo of island model. Canopy model has two front lights only

**SC-514**  
**WALL-MOUNTS**

Makes a statement of strength and power as the stainless steel frame gleams under your kitchen lights. It features three aligned mesh filters, two bright halogen lights in each corner, control panels on both the front and back, and a quiet, powerful motor. The bold design and strong stainless steel frame encasing the fan will make this machine the focus of your kitchen. Fitted with time-delay off options up to nine minutes.

Air Flow Volume:	550CFM
Electrical Connection:	120V/60Hz
Electrical Consumption:	200 watts
Fan Speed:	1254 RPM
Colours:	Stainless Steel
Venting:	6" Round (Top Only)
Dimensions:	W:36" H: 60" D:24"



<b>Model #</b>	<b>Colour</b>	<b>Venting</b>	<b>Size</b>
SC-51424*	Stainless Steel	6"	24"
SC-51430	Stainless Steel	6"	30"
SC-51436	Stainless Steel	6"	36"

\* Not a regular stock item. All special orders need to be placed three months in advance



*Cyclone*<sup>®</sup>

# Alito Collection

Island Mounted Units





*The Fusion of Design and Performance*



**SI-520  
ISLAND HOOD**

A powerful, high-performance machine, the SI-520 is sure to convey to guests that the chef in this household knows their stuff, and is doing some serious cooking. It is simple and straightforward in design with four mesh filters in opposing corners, two bright halogen lights, and a strong sturdy stainless steel frame. There are three-speed digital control panels on both sides of the island for added convenience. The fan removes odour and contaminants from the cooking area with amazingly little sound. Fitted with time-delay off options up to nine minutes.

Air Flow Volume:	550CFM
Electrical Connection:	120V/60Hz
Electrical Consumption:	200 watts
Fan Speed:	1254 RPM
Colours:	Stainless Steel
Venting:	6" Round (Top Only)
Dimensions:	W:36" H: 60" D:24"



<b>Model #</b>	<b>Colour</b>	<b>Venting</b>	<b>Size</b>
SI-520	Stainless Steel	6"	36"

# Cyclone®

*The Fusion of Design and Performance*



## SI-521 ISLAND HOOD

A very stylish exhaust fan, it is the perfect balance of substance and style. The graceful contour of the arched glass canopy coupled with the brilliant shine of the stainless steel body give an impression that is at once both modern and classic. The hood features a three-speed digital control panel, button controlled halogen lights, two mesh filter screens, and a quiet, efficient motor. Fitted with time-delay off options up to nine minutes.

Air Flow Volume:	550CFM
Electrical Connection:	120V/60Hz
Electrical Consumption:	200 watts
Fan Speed:	1254 RPM
Colours:	Stainless Steel
Venting:	6" Round (Top Only)
Dimensions:	W:36" H: 60" D:24"



Model #	Colour	Venting	Size
SI-521	Stainless Steel	6"	36"



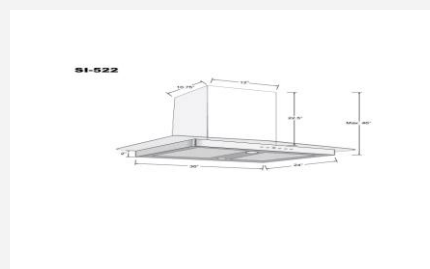
*The Fusion of Design and Performance*



**SI-522  
ISLAND HOOD**

This fan embodies the qualities and characteristics that will distinguish it and its predecessors from the competition. This handsome, tasteful hood is a wonderful complement to modern, upscale home décor. Features button controlled halogen lights and has a digital three-speed control panel on the front and back for easy reach from either side of the island. An attractive glass canopy broadly frames the mesh filters and blocks smoke and grease from staining the vent shaft. Quiet and extremely powerful the fan can draw air out of your kitchen with minimal sound. Fitted with time-delay off options up to nine minutes.

Air Flow Volume:	550CFM
Electrical Connection:	120V/60Hz
Electrical Consumption:	200 watts
Fan Speed:	1254 RPM
Colours:	Stainless Steel
Venting:	6" Round (Top Only)
Dimensions:	W:36" H:.60" D:24"



<b>Model #</b>	<b>Colour</b>	<b>Venting</b>	<b>Size</b>
SI-522	Stainless Steel	6"	36"



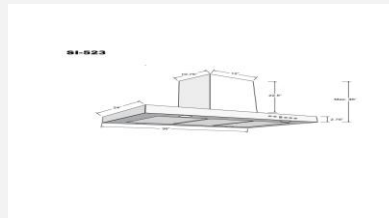
*The Fusion of Design and Performance*



**SI-523  
ISLAND HOOD**

Makes a statement of strength and power as the stainless steel frame gleams under your kitchen lights. It features three aligned mesh filters, four bright halogen lights in each corner, control panels on both the front and back, and a quiet, powerful motor. The bold design and strong stainless steel frame encasing the fan will make this machine the focus of your kitchen. Fitted with time-delay off options up to nine minutes.

Air Flow Volume:	550CFM
Electrical Connection:	120V/60Hz
Electrical Consumption:	200 watts
Fan Speed:	1254 RPM
Colours:	Stainless Steel
Venting:	6" Round (Top Only)
Dimensions:	W:36" H: 60" D:24"



<b>Model #</b>	<b>Colour</b>	<b>Venting</b>	<b>Size</b>
SI-523	Stainless Steel	6"	36"



*The Fusion of Design and Performance*



**SI-530  
ISLAND HOOD**

Modern and sleek, the SI-530 boasts two aligned mesh filter screens, digital control panels on both the front and back, a stylish glass barrier protecting the shaft, and button controlled halogen lights on each side. The subtle design will take up less space in your kitchen but will nonetheless make a dramatic impression. It is a great looking machine that will be the focus of any assortment of upscale kitchen appliances. In essence, a luxurious exhaust fan to suit those with luxurious tastes. Fitted with time-delay off options up to nine minutes.

Air Flow Volume:	550CFM
Electrical Connection:	120V/60Hz
Electrical Consumption:	200 watts
Fan Speed:	1254 RPM
Colours:	Stainless Steel
Venting:	6" Round (Top Only)
Dimensions:	W:36" H: 60" D:24"



<b>Model #</b>	<b>Colour</b>	<b>Venting</b>	<b>Size</b>
SI-530	Stainless Steel	6"	36"



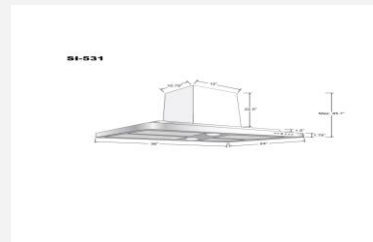
*The Fusion of Design and Performance*



**SI-531**  
**ISLAND HOODS**

Features four mesh filters in opposing corners, two bright halogen lights, digital control panels on both sides of the island for added convenience, and a straight edge stainless steel frame. This is a quality fan for cooks who demand performance. Fitted with time-delay off options up to nine minutes.

Air Flow Volume:	550CFM
Electrical Connection:	120V/60Hz
Electrical Consumption:	200 watts
Fan Speed:	1254 RPM
Colours:	Stainless Steel
Venting:	6" Round (Top Only)
Dimensions:	W:36" H: 60" D:24"



<b>Model #</b>	<b>Colour</b>	<b>Venting</b>	<b>Size</b>
SI-531	Stainless Steel	6"	36"