

Cyclone®

Self-Cleaning Range Hoods Hottes Autonettoyantes



(Model/Modèle NA-930/R)



(Model/Modèle CY-1000/R)



(Model/Modèle CY-3000R)

Installation and Operating Instructions **Instructions d'installation et d'opération**

Please read all instructions before installing and operating.

All wiring must be in accordance with national and local electrical codes.



NRTL/C
LR 101841
TP

TABLE OF CONTENTS

Titles/ titres	Page(s)
Safety Instructions	3
Tools and Materials	3
Preparation for installation	4
Installation Procedures	4
Providing Electrical	5
Making the Electrical Connection	5
Use and Care	5
Operating Instructions	6
Specifications	6
Circuit Assembly Drawing for Twin Motor Range Hood	7
Service Parts	8
Cyclone Range Hood Limited Warranty	9

IMPORTANT SAFETY INSTRUCTIONS

READ AND SAVE ALL INSTRUCTIONS BEFORE INSTALLING OR OPERATING YOUR CYCLONE RANGE HOOD
--

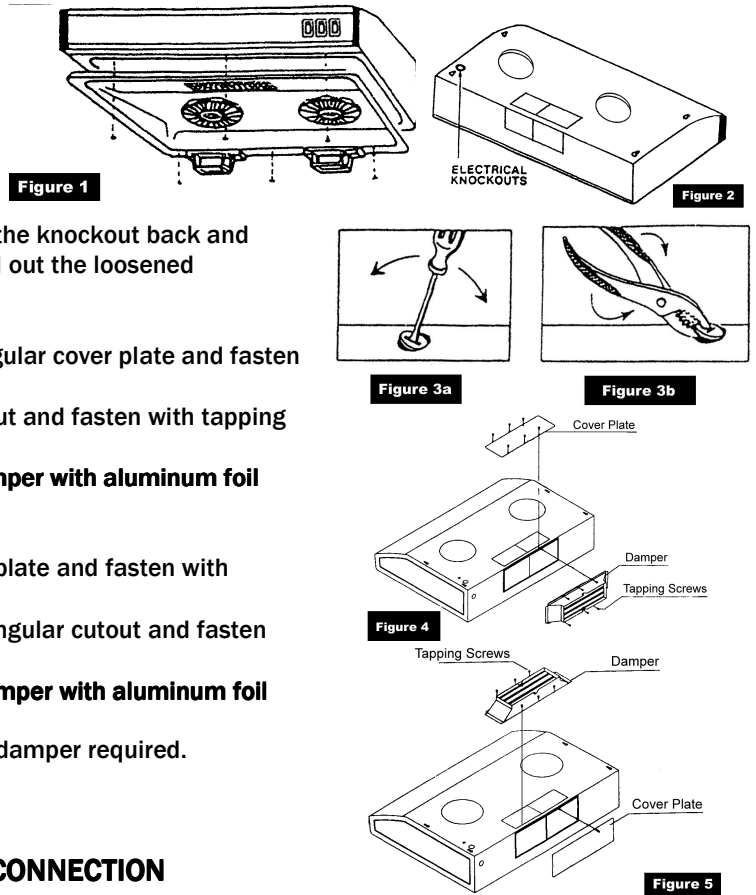
1. Cyclone range hood is for general purpose ventilating use only. Do not use it to exhaust hazardous, explosive materials or vapors.
2. The safety mesh that covers the inlets to the fan must be cleaned periodically to prevent excess grease buildup. Make sure the mesh is installed before operating the fan.
3. Do not use more than 50W incandescent light bulbs for any model. Do not use round shaped light bulb for models CY1000 or CY1000R. Recommended use of tubular light bulb (T10) or 23W florescent tube (equivalent to a 90W incandescent light bulb).
4. Ensure the power is turned off before installation or maintenance. If you move the range hood to make room for working on the cabinet, turn off the 220V power for an electric range at the service entrance. Before moving a gas range, shut off the gas.
5. When cutting or drilling into walls or ceilings, be careful not to damage existing electrical wiring and other hidden utilities. Use only metal ductwork.
6. All electrical connections must be in accordance with local codes, ordinances, or National Electrical Code. If you are unfamiliar with methods of installing electrical wiring, secure the services of a qualified electrician.
7. When installed, the bottom edge of your Range Hood should be 24" – 32" above the top of cooking surface.
8. Always keep the duct clear to maintain proper airflow for venting.
9. To reduce the risk of fire, electric shock and to properly exhaust air, ducted fans must always be vented outside. Do not vent exhaust air into spaces within walls, ceilings, attics, crawl spaces or garages. Do not connect this fan with any solid-state speed control device.
10. To reduce the risk of a range top grease fire, always have the fans turned on when cooking at high heat or when cooking flaming foods. Do not leave your range unattended when cooking at high setting. Always keep the range hood clean. Grease should not be allowed to accumulate on fans or hood.

TOOLS AND MATERIALS REQUIRED

- | | |
|--|--|
| <ul style="list-style-type: none">• Electrical drill or Ratchet Driver• 1/2" drill bit for drilling pilot holes• 1 1/4" drill bit for drilling electrical wiring access hole• Screwdrivers: philips & straight blade• Pliers• Tape measure or ruler and pencil• Electrical supplies for wiring• Aluminum foil tape and/or duct tape | <ul style="list-style-type: none">• Hammer• Jigsaw or saber saw• 6 tapping screws (supplied)• 4 hood mount screws (supplied)• 2 rectangular oil collectors (supplied)• 2 round shape oil collectors (supplied)• 1 rectangular damper (supplied only with rectangular venting models) |
|--|--|

PREPARATION FOR INSTALLATION

- Unpack range hood and check contents.
Note: Be cautious of sharp edges within the unit.
- Remove hood cover insert screws and lift off cover to expose the inside (Fig 1).
- Remove either the top or rear electrical knockout, depending on how you plan to run power leads to the hood through cabinet or wall (Fig 2).
- Insert a screwdriver into the knockout slot and bend the knockout back and forth (Fig 3a & 3b). You may have to use pliers to pull out the loosened knockout.
- For rectangular rear venting configuration (Fig 4):
 - Cover the rectangular top cutout with the rectangular cover plate and fasten with tapping screws.
 - Place the rectangular damper onto the rear cutout and fasten with tapping screws.
 - Important: Seal both the top cover plate and damper with aluminum foil tape (preferred) or duct tape.**
- For rectangular top venting configuration (Fig 5):
 - Cover the rear cutout with the rectangular cover plate and fasten with tapping screws.
 - Place the rectangular damper onto the top rectangular cutout and fasten with tapping screws.
 - Important: Seal both the rear cover plate and damper with aluminum foil tape (preferred) or duct tape.**
- For round top venting configuration: no rear cover or damper required.



PREPARATION FOR VENT AND EXHAUST DUCT CONNECTION

- To connect a rectangular vent to a round exhaust duct (or vice versa), use connecting duct.
- The round vent of Cyclone range hoods is 6" in diameter. If your round exhaust duct is not 6" in diameter, you will need a connecting duct to accommodate the different sizes. If your exhaust duct is less than 6" in diameter, the efficiency of your Cyclone range hood will be reduced.
- If you are connecting a rectangular vent to an existing rectangular duct, you do not need any connecting duct. However, to install the range hood properly, you should consult/hire a professional.
- If you do not have an existing exhaust duct going outside your home, you need to make one. Please consult/hire a professional to do the work properly. In general, for rear venting, you need to cut a rectangular hole on the wall to fit the rectangular exhaust duct extended to the outside wall. For top venting, cut a rectangular or a 6" round hole through ceiling or the bottom of cabinet to fit the duct connection.

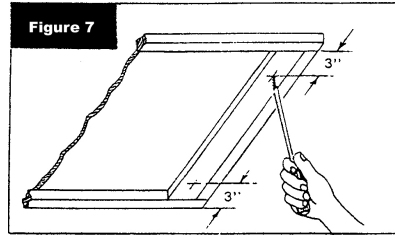
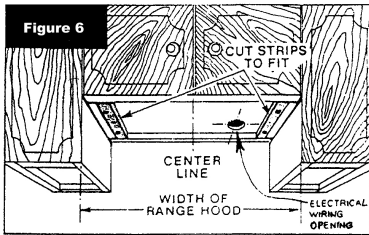
INSTALLATION PROCEDURES

Preparing Mounting Frame and Location

Ensure the power is turned off before installation or maintenance. If you move the range to make room for working on the cabinet, turn off the 220V power for an electric range at the service entrance. Before

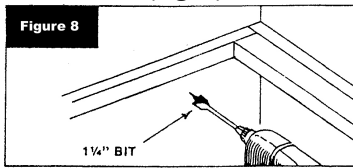
- For installation on a recessed bottom cabinet, do steps a. to d. first (Omit these steps if the hood is to be mounted on a cabinet with a flush bottom):
 - Measure the space (under cabinet) between the inside front edge and inside back edge (Fig. 6). With a saber saw, cut two 1" x 2" wood filler strips to fill in the bottom of the cabinet.
 - Start a 2 1/4" long wood screw about 3" from each end of the 1" x 2" wood strips (Fig. 7). For metal cabinet, drill 1/2" holes for the 1" x 2" wood strips and the cabinet at the respective locations.
 - Position the strips on the cabinet bottom and screw the strips securely to the cabinet (Fig. 6).

- d. For a more secure installation, drill four 3/16" holes from inside the cabinet, down into the wood filler strips. Insert screws into the starter holes in cabinet and tighten screws until wood filler strips are secured under cabinet.

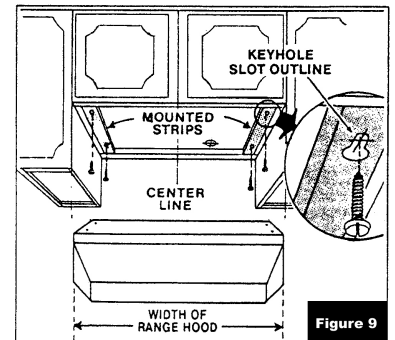


2. Center the hood in place beneath the cabinet and flush with the front of the cabinet.
3. Mark the four keyhole mounting slots for the hood. Mark these onto the bottom of the cabinet; or, if the cabinet bottom is recessed, onto the wood strips.
4. Mark on the cabinet bottom or wall the position of the access hole through which the power supply cord is to be routed.

5. Drill out the electrical power line access hole as marked with a 1 1/4" wood drill bit (Fig. 8).

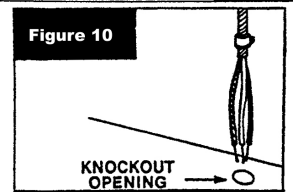


6. Screw the four hood mounting wood screws into the center of the keyholes (Fig. 9) marked on the cabinet bottom (for flush installation) or the 1" x 2" wood strips (for recessed cabinet installation). Do not turn the mounting screws in all the way to allow adequate space for the hood to be fitted into place.



Providing Electrical Power

7. Place the range hood on the bottom of the cabinet. Route the power supply cord through the access hole and through the knockout. This step will have to be accomplished while positioning the hood (Fig. 10).
8. Fit the four wider ends of the keyholes into the four screws on the cabinet, and then adjust the hood until the screws are pushed into the narrow part of the keyhole slots. The front of the hood should be flush with the cabinet front.
9. Check to ensure the rear or top vent is fitted and connected to the duct properly.
10. Tighten the hood mounting screws all the way into the cabinet or into the 1" x 2" wood strips so the hood is firmly attached.



Making the Electrical Connection

11. Secure the electrical connector to the hood with the connector's "STAR" locknut.
12. Strip about 1/2" of insulation from the ends of the electrical power wires.
13. Connect the power line ground wire to the green ground wire supplied with the hood (Fig. 11)
14. Connect the black power wire to the black wire supplied with the hood. Do the same with white wire.
15. Reinstall the hood cover plate with the insert screws.
16. Attach the rectangular and round oil collectors at the far back and under the mesh respectively.

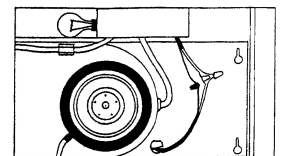
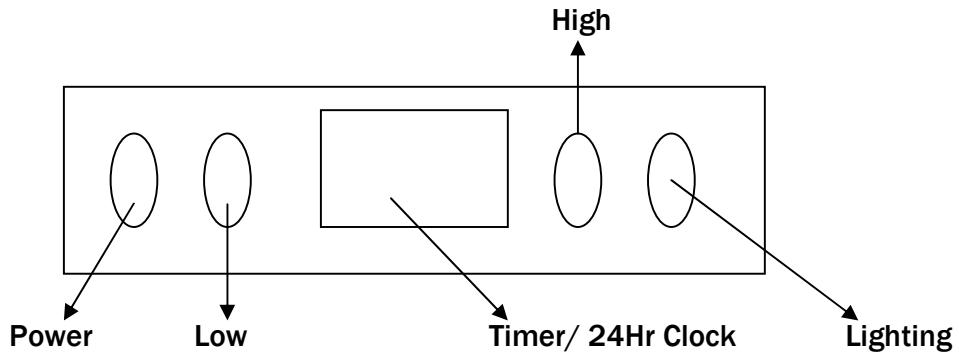


Figure 11

Use and Care

17. Light bulb: Slide light bulb access cover to expose the lamp-holder. Screw in a light bulb. Do not use round shape light bulb for models CY1000 or CY1000R. Do not use more than 60W incandescent light for any model. Recommended use of 23W florescent tube which is equivalent to a 90 W incandescent light bulb.
18. Switches: The fan and light are each controlled by a rocker switch. The light switch has two positions, "ON" and "OFF".
- 19.
20. The fan switch has three positions, "HIGH", "LOW" and "OFF".
21. Cleaning: Clean the hood with a mild detergent suitable for painted surfaces. Do not use abrasive cloth, steel wool pads, or scouring powders.
22. Fan: The fan assembly is designed such that it will never need lubrication.

**Operating Instructions:
CY3000R**



To set the time:

The time will appear on the digital display panel. Simply press and hold the power button for about three seconds and use the “low” button to set the hour and the “high” button to set the minutes.

To set the automatic timer:

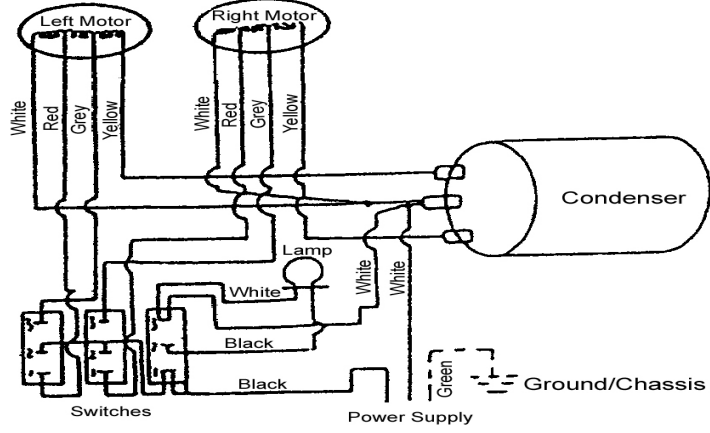
Simply press the power button while the machine is running, and use the “low” and “high” buttons to set the number of minutes you would like the fan to run before automatically shutting off.

SPECIFICATIONS

***CY3000/R MAX LIGHT BULB: 25Watts x 2 = 50 Watts

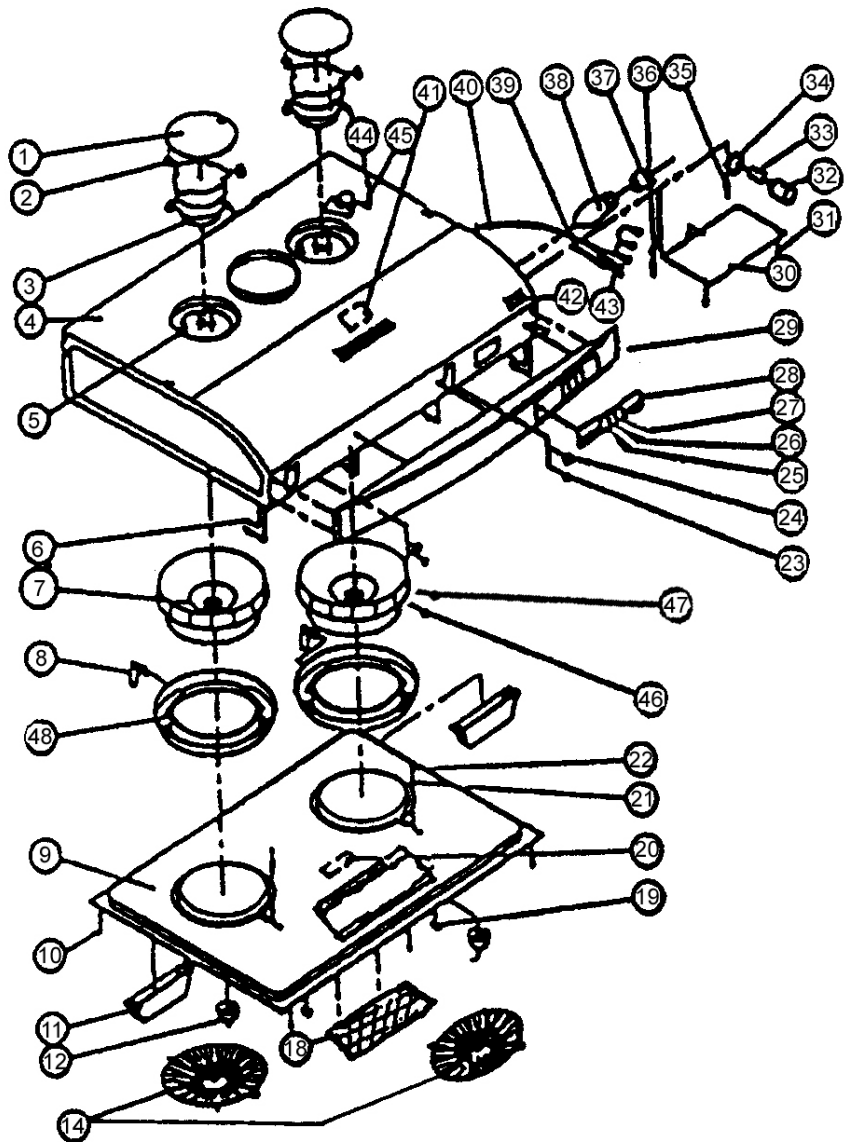
Air Flow Volume	680 CFM				
Electrical Connections	120V, 60 Hz				
Power Consumption	200 Watts				
Fan Speed	1550 RPM				
Colors	White, Almond, Black, Stainless steel				
Venting	NA930, CY1000 or Box Fan 6" round top		NA930R, CY1000R, CYS1000R OR CY3000R 3 ¼" x 10" rectangular top or rear		
Dimensions	Width	NA930 or NA930R 30"	CY3000R 30"	CY1000, CY1000R or CYS1000R 30"	Box Fan 28"
	Height	6"	8"	4 ¾"	5"
	Depth	22"	22"	20 ¾"	17"

CIRCUIT ASSEMBLY DRAWING FOR TWIN MOTOR RANGE HOOD



SERVICE PARTS

REF No.	DESCRIPTION	QTY
1	Motor Cap / Chapeau de Moteur	2
2	Motor Pad / Garniture de Moteur	6
3	Motor (L, R) / Moteur (G. D)	2
4	Machine body / Corps de machine	1
5	Hex screw / Vis hexagonal	6
6	Screw 4x10 / Vis 4x10	6
7	Vane / Palette	2
8	Oil hose / Tuyau d'huile	2
9	Middle support plate Plaque de support au milieu	1
10	Tapping screw / Vis de tapement	4/6
11	Oil collector / Collecteur d'huile	2
12	Cap / Chapeau	2
14	Vane guard / Garde de palette	2
18	Lamp shade / Ombre de lampe	1
19	Thumb plate / Plat de pouce	2
20	Label / Étiquette	1
21	Spring / Ressort	2
22	Hex. screw / Vis hexagonal	2
23	Water hole jacket Trou à chemise d'eau	2
24	Plastic jacket / Chemise plastique	2
25	Switch (Left) Commutateur (Gauche)	1
26	Switch (Right) Commutateur (Droite)	1
27	Lamp switch Commutateur de lampe	1
28	Name plate / Plaque de nom	1
29	Name plate / Plaque de nom	1
30	Wiring case / Boîte de câblage	1
31	Tapping screw / Vis de tapement	3
32	Capacitor / Condensateur	1
33	Rubber sponge Éponge en caoutchouc	1
34	Capacitor holding ring Anneau à tenir le condensateur	1
35	Tapping screw / Vis de tapement	1
36	Star washer / Rondelle d'étoile	1
37	Bulb holder / Support d'ampoule	1
38	Bulb / Ampoule	1
39	Terminal cord / Corde terminale	1
40	Power supply Alimentation électrique	1
41	Circuit diagram Diagramme de circuit	1
42	Electricity label Étiquette de l'électricité	1
43	Screw connector Connecteur de vis	2
44	Star washer / Rondelle d'étoile	1
45	Screw / Vis	1
46	Vane guard / Garde de palette	2
47	Shelter blade / Lame d'abri	2
48	Oil disc / Disque d'huile	2



Cyclone Range Hood Limited Warranty

North America Range Hoods Inc. (hereunder called "The Company") provides a warranty that its products are free from defects in workmanship and materials for a period of two (2) years from the date of original purchase. During that time period, The Company will, at no charge, replace at The Company's option, any parts or complete unit found to be defective. Further, the warranty for the motor extends for an additional eight (8) years, with labour costs extra.

This warranty is not transferable and does not include light bulbs, ducts, roof caps, and other accessories for ducting. The warranty does not include normal maintenance and service. The warranty does not apply to damages caused by misuse, incorrect installation, mistreatment, negligence, improper shipping, attempts to alter or modify the function of part or the complete assembly, acts of God, or any other circumstances beyond the control of The Company. The Warranty does not cover the costs of removal, installation and transportation of a defective product.

The warranty on your Cyclone Range Hood begins on the date of original purchase. In order to register your purchase, please fill out both the customer and manufacturer copies of the Limited Warranty Registration card below. Retain the customer copy, with the dated bill of sale or other evidence of the original proof of purchase, and return the manufacturer copy within 30 days of purchase.

For warranty services or repair, please contact the dealer from whom you purchased the product or the address shown below:

Cyclone Range Hoods Inc.
110 Silver Star Blvd., Unit 105
Scarborough, Ontario M1V 5A2
Tel: (416) 293-0933 Fax: (416) 293-4793 Email: info@cyclonerangehoods.com
Website: www.cyclonerangehoods.com