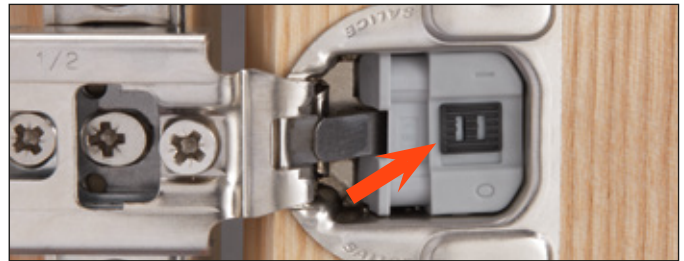
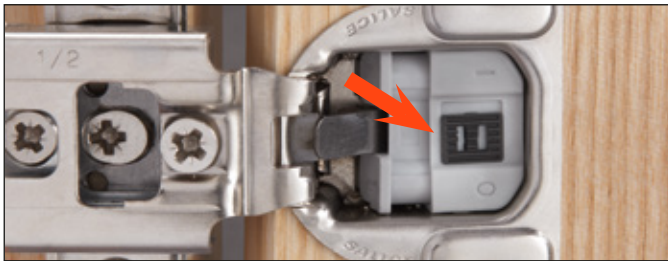


Silentia CU series Face Frame Hinges

SALICE

Series CU Silentia "Face-Frame"



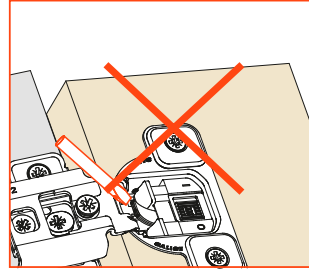
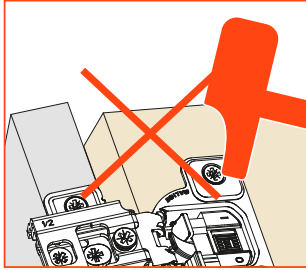
To deactivate the "soft close", move the lever to **0**.

To activate the "soft close", move the lever to **I**.

ATTENTION

DO NOT insert with a hammer or mallet.

DO NOT remove the soft-close mechanism as it will cause permanent damage.



General information

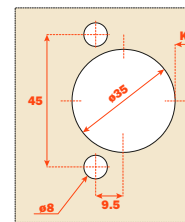
All overlays are calculated with a $K = 2.5$ mm.

All Silentia face frame hinges have an variable drilling distance (K) of 2.5 mm - 6.0 mm.

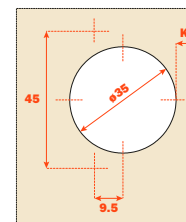
Boring Pattern

Boring distance from the edge of the door:

Press-in



Screw-in.



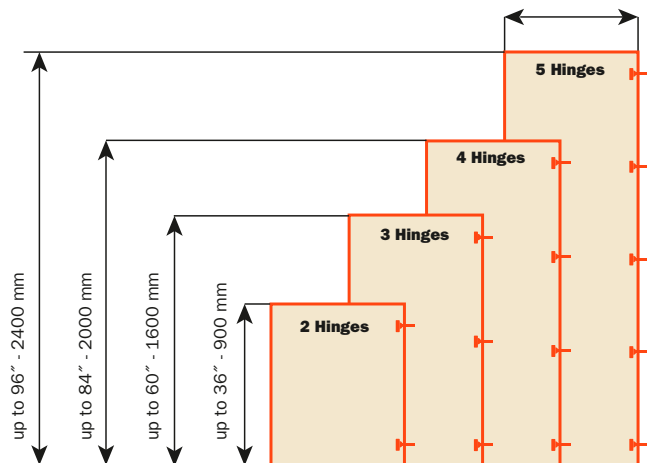
Recommended number of hinges per door.

Door width up to 24" - 610 mm

The number of hinges required depends on the size, weight and quality of the door. The distance between the top and bottom hinge must be greater than the width of the door. Additional hinges should be added if doors are near the border line of size or weight chart. Use the diagram below to determine number of hinges needed.

Maximum door weight.			
Ø 35 mm	20lb	40lb	60lb
No. of hinges	2	3	4

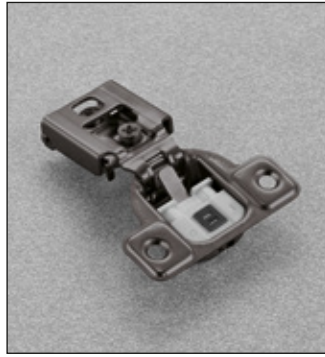
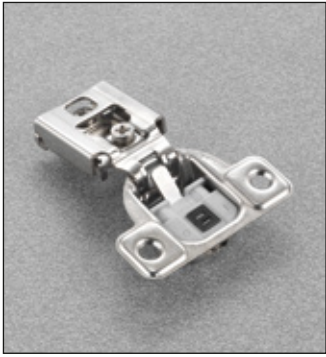
Door Height



Millimeter to inch equivalents - Correspondencia entre pulgadas y milímetros

mm	1	1.5	2	3	4	5	5.5	6	7	8	9	9.5	10	11	12	13
inch	1/32"	1/16"	3/32"	1/8"	5/32"	3/16"	7/32"	1/4"	9/32"	5/16"	11/32"	3/8"	13/32"	7/16"	15/32"	1/2"
mm	14	15	16	17	17.5	18	19	20	20.5	21	22	23	24	24.5	25.4	
inch	9/16"	19/32"	5/8"	21/32"	11/16"	23/32"	3/4"	25/32"	13/16"	27/32"	7/8"	29/32"	15/16"	31/32"	1"	

Series CU Silentia "Face-Frame" - 2 cam adjustment











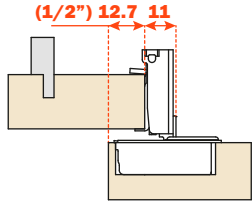
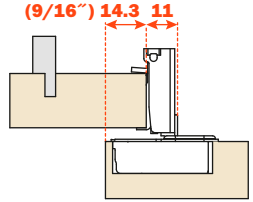
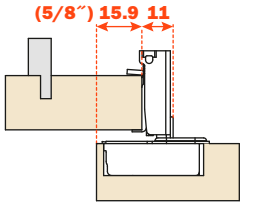
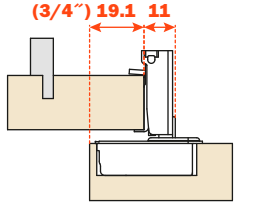
Integrated soft close face frame hinge with deactivation switch.

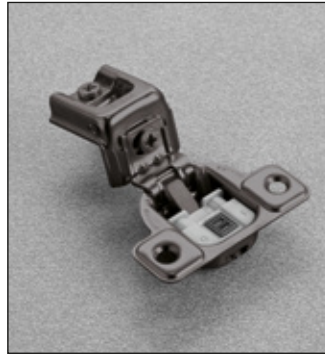
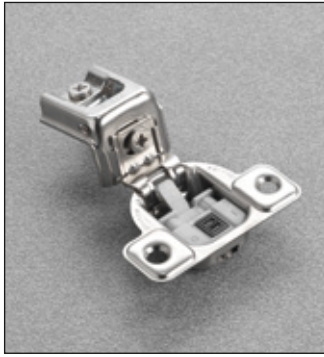
Stamped steel.
 Minimum door thickness 14mm (9/16").
 Maximum door thickness 22mm (7/8")
 Cup depth 11mm (7/16").
 Opening 106°.

Wraparound (front & rear tabs)

All Silentia face frame hinges have a variable drilling distance (K) of 2.5 mm - 6.0 mm.

Available in Nickel and Titanium finish.

	106° ø35	106° ø35	106° ø35	106° ø35	Packaging
					
	1/2"	9/16"	5/8"	3/4"	
	CUP37D9	CUP36D9	CUP35D9	CUP34D9	300
	CUP37D6 Titanium	CUP36D6 Titanium	CUP35D6 Titanium	CUP34D6 Titanium	300
	CUR37D9	CUR36D9	CUR35D9	CUR34D9	300
	CUR37D6 Titanium	CUR36D6 Titanium	CUR35D6 Titanium	CUR34D6 Titanium	300
All overlays are calculated with a K = 2.5 mm					
				 Zero-door protrusion	
Suggested frame fixing screw #8 3/4" modified truss head - VU74X194					



Integrated soft close face frame hinge with deactivation switch.

Stamped steel.
 Minimum door thickness 14mm (9/16").
 Maximum door thickness 22mm (7/8")
 Cup depth 11 mm.
 Opening 106°.

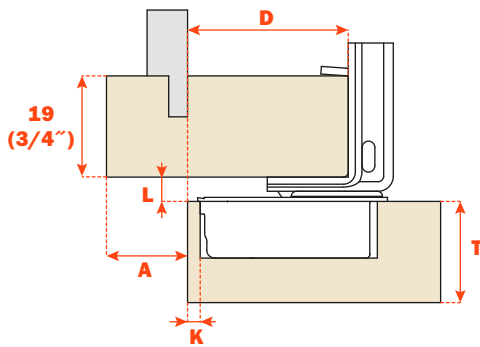
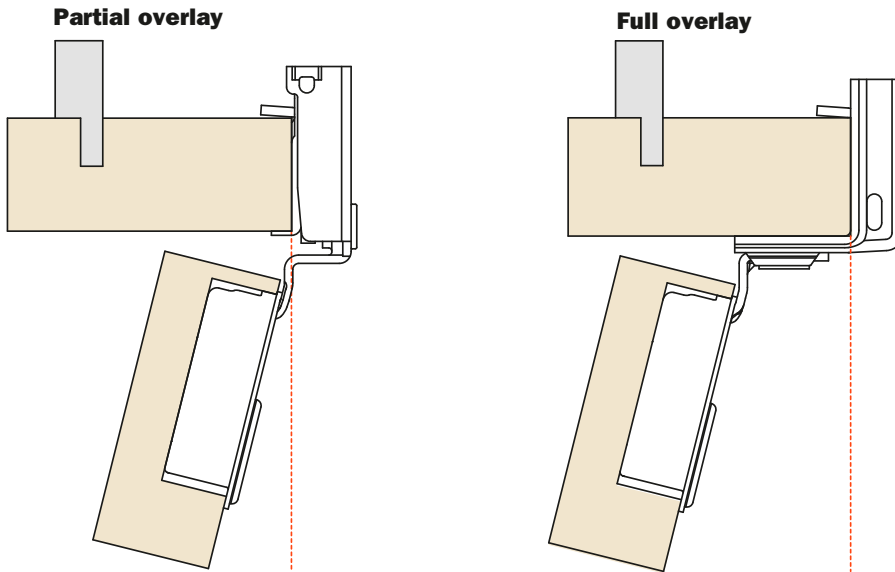
Wraparound (front & rear tabs)

All Silentia face frame hinges have a variable drilling distance (K) of 2.5 mm - 6.0 mm.

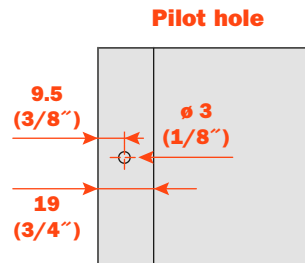
Available in Nickel and Titanium finish.

	106° ø35	106° ø35	106° ø35	106° ø35	Packaging
	1"	1 - 1/4"	1 - 5/16"	1 - 3/8"	
	CUP32D9	CUP3AD9	CUP3BD9	CUP3CD9	300
	CUP32D6 Titanium	CUP3AD6 Titanium	CUP3BD6 Titanium	CUP3CD6 Titanium	300
	CUR32D9	CUR3AD9	CUR3BD9	CUR3CD9	300
	CUR32D6 Titanium	CUR3AD6 Titanium	CUR3BD6 Titanium	CUR3CD6 Titanium	300
All overlays are calculated with a K = 2.5 mm.					
Suggested frame fixing screw #8 3/4" modified truss head - VU74X194					

Zero-door protrusion from 3/4" to 1 - 3/8" overlay.
Wraparound (front & rear tabs)



Frame cabinet.



#8 x 3/4" modified truss head.
VU74X194

- D** = required door overlay
- T** = max. door thickness
- K** = drilling distance
- A** = reveal
- L** = gap between door and frame

- T= Maximum 22mm (7/8")

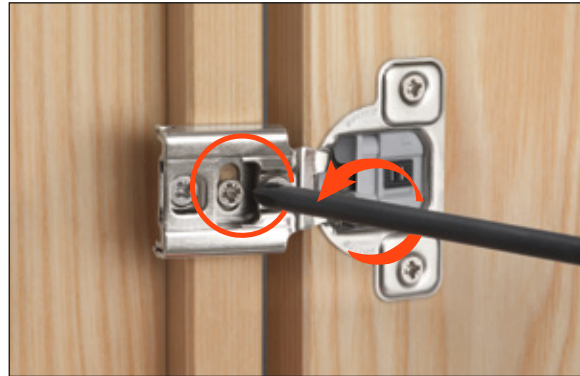
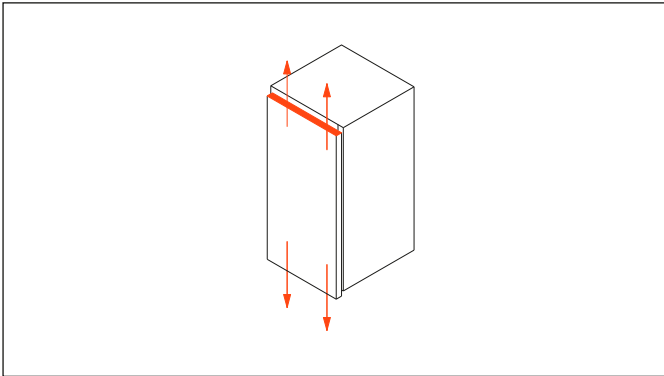
All overlays are calculated with a K = 2.5 mm.

All Silentia face frame hinges have a variable drilling distance (K) of 2.5 mm - 6.0 mm.

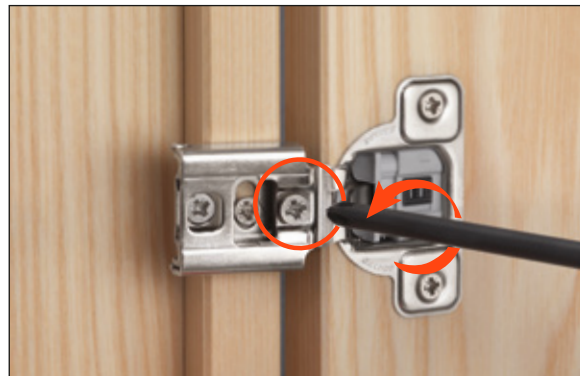
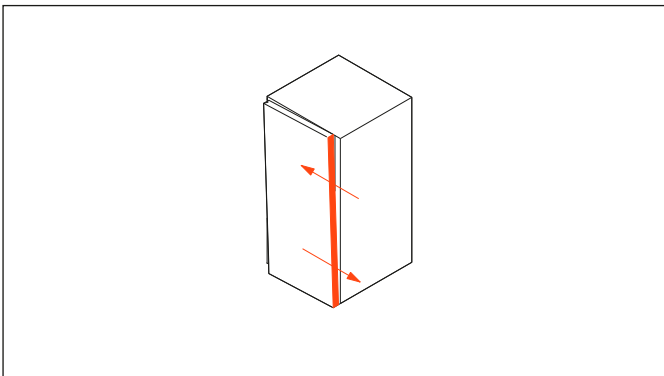
- L = 4.6mm (3/16")

- "A" value = 5.6mm (7/32") min. for 19mm 3/4" square edge doors.

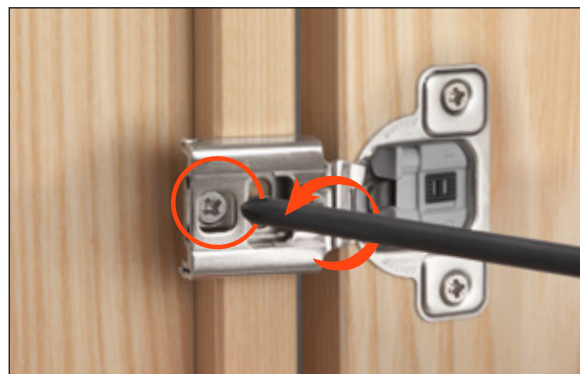
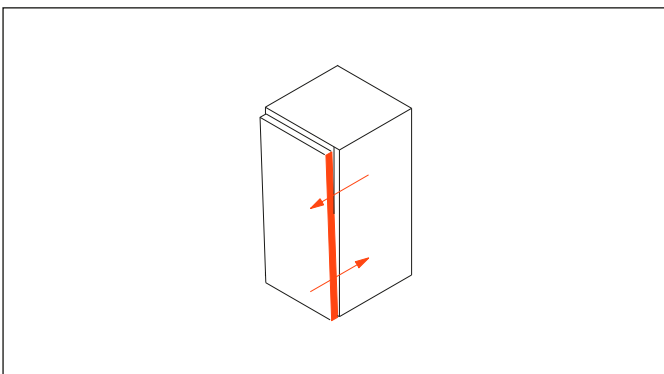
Height adjustment **+/- 3mm (1/8")**

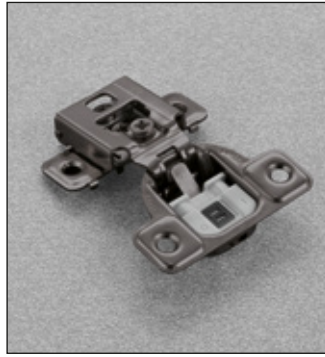
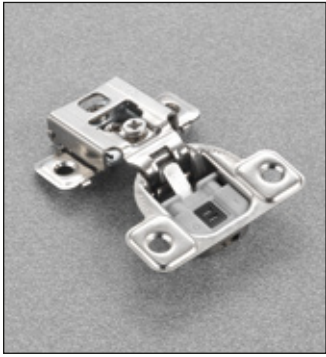


Side adjustment by eccentric cam for hinges: CU_37D9 - CU_34D9 = **+2.5mm (3/32") / -1.8mm (1/16")**
CU_32D_ - CU_3AD_ - CU_3CD_ = **+3mm (1/8") / -2mm (3/32")**



Depth adjustment by eccentric cam: **+2.5 mm (+ 3/32") / -0.5 mm (-1/64")**





Integrated soft close face frame hinge with deactivation switch.

Stamped steel
 Minimum door thickness 14mm (9/16")
 Maximum door thickness 22mm (7/8")
 Cup depth 11mm (7/16")
 Opening 106°

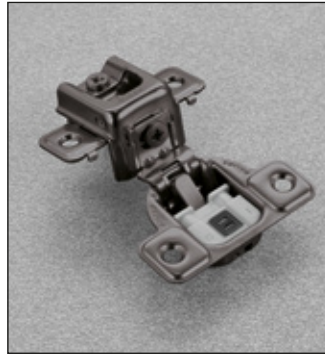
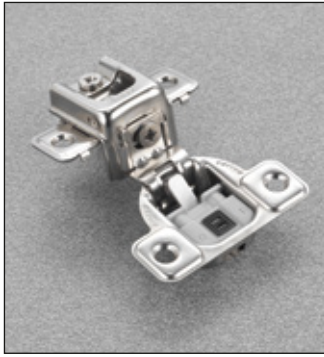
Edgемount (front tabs only)

All Silentia face frame hinges have a variable drilling distance (K) of 2.5 mm - 6.0 mm.

Available in Nickel or Titanium finish

	106° ø35	106° ø35	106° ø35	106° ø35	Packaging
	1/2"	9/16"	5/8"	3/4"	
	CUP37D9R	CUP36D9R	CUP35D9R	CUP34D9R	300
	CUP37D6R Titanium	CUP36D6R Titanium	CUP35D6R Titanium	CUP34D6R Titanium	300
	CUR37D9R	CUR36D9R	CUR35D9R	CUR34D9R	300
	CUR37D6R Titanium	CUR36D6R Titanium	CUR35D6R Titanium	CUR34D6R Titanium	300
All overlays are calculated with a K = 2.5 mm.					
					Zero-door protrusion
#6 x 5/8" flat head wood screw - VU73X154 Nickel - V234X166 Titanium					

Ideal for refacing and other applications where frame thickness varies. Hinge is indexed from the front of the face frame only. There is no back tab.



Integrated soft close face frame hinge with deactivation switch.

Stamped steel
 Minimum door thickness 14mm (9/16")
 Maximum door thickness 22mm (7/8")
 Cup depth 11mm (7/16")
 Opening 106°

Edgemount (front tabs only)

All Silentia face frame hinges have a variable drilling distance (K) of 2.5 mm - 6.0 mm.

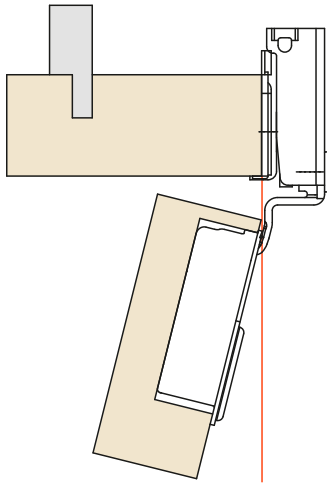
Available in Nickel or Titanium finish

	106° ø35	106° ø35	106° ø35	106° ø35	Packaging
	1"	1 - 1/4"	1 - 5/16"	1 - 3/8"	
	CUP32D9R	CUP3AD9R	CUP3BD9R	CUP3CD9R	300
	CUP32D6R Titanium	CUP3AD6R Titanium	CUP3BD6R Titanium	CUP3CD6R Titanium	300
	CUR32D9R	CUR3AD9R	CUR3BD9R	CUR3CD9R	300
	CUR32D6R Titanium	CUR3AD6R Titanium	CUR3BD6R Titanium	CUR3CD6R Titanium	300
All overlays are calculated with a K = 2.5 mm.					
Zero-door protrusion on all overlays - #6 x 5/8" flat head wood screw - VU73X154 Nickel - V234X166 Titanium					

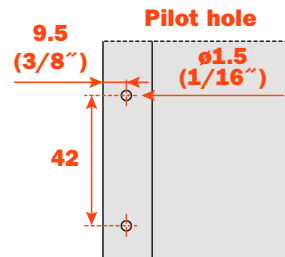
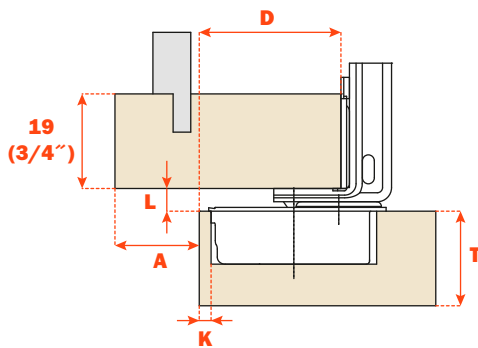
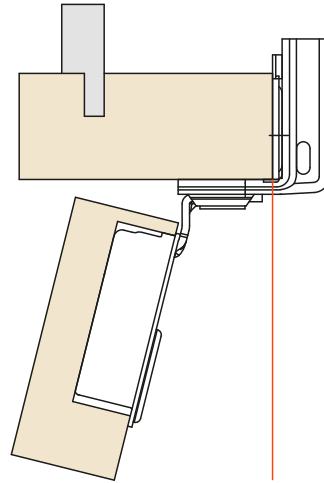
Ideal for refacing and other applications where frame thickness varies. Hinge is indexed from the front of the face frame only. There is no back tab.

Zero-door protrusion from 3/4" to 1 - 3/8" overlay.
Edgemoornt (front tabs only)

Partial overlay



Full overlay



Suggested frame fixing screw #6 x 5/8"
VU73X154 Nickel - V234X166 Titanium

- D** = required door overlay
- T** = max. door thickness
- K** = drilling distance
- A** = reveal
- L** = gap between door and frame

- T= Maximum 22mm (7/8") max

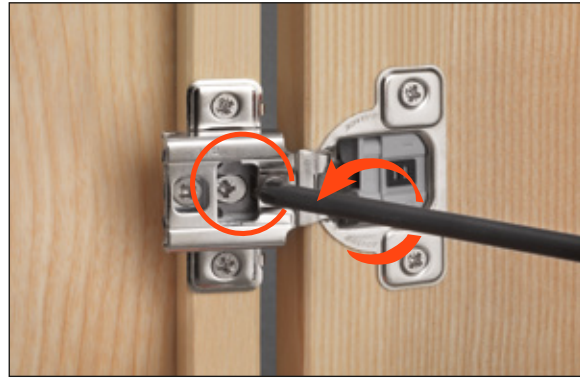
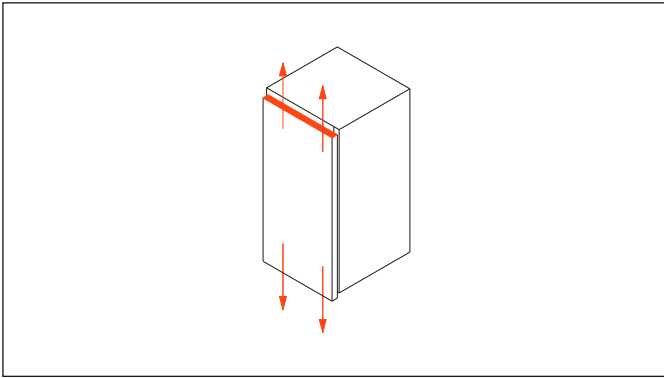
All overlays are calculated with a K = 2.5 mm.

All Silentia face frame hinges have a variable drilling distance (K) of 2.5 mm - 6.0 mm.

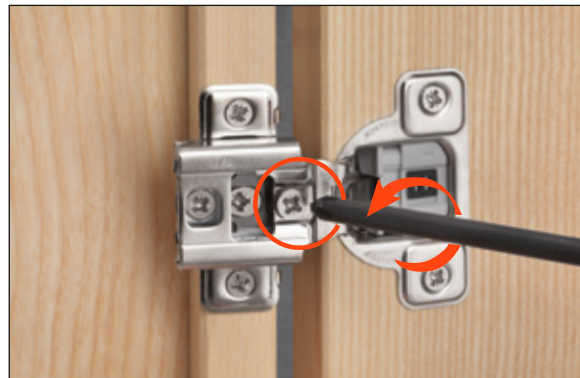
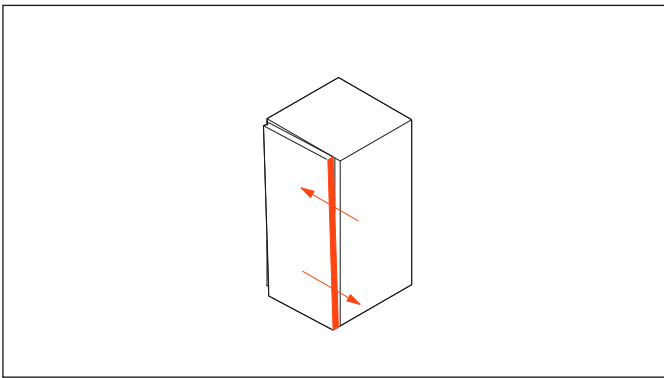
- L = 4.6 mm

- "A" value = 5.6 mm min. (7/32") for 19mm (3/4") square edge doors.

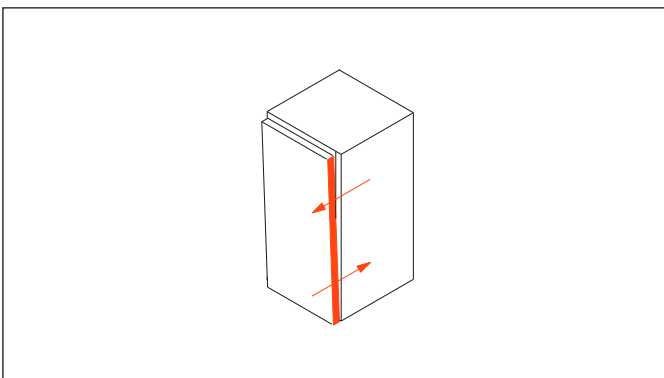
Height adjustment by eccentric cam = **+/- 1.85 mm (3/32")**



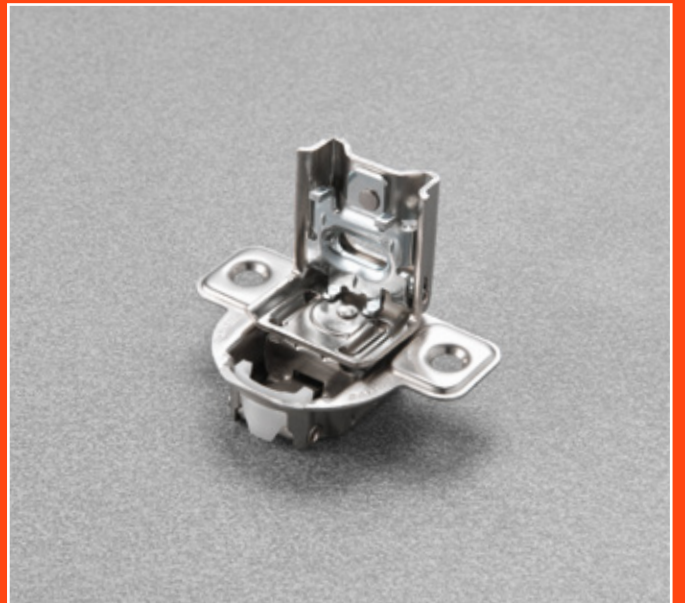
Side adjustment by eccentric cam for hinges: CU_37D_R - CU_34D_R = **+2.5mm (3/32") / -1.8mm (1/16")**
CU_32D_R - CU_3AD_R - CU_3CD_R = **+3mm (1/8") / -2mm (3/32")**



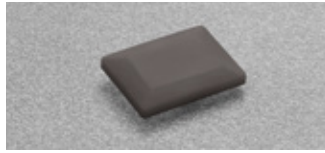
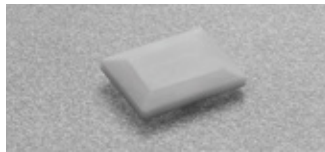
Depth adjustment by eccentric cam: **+ 2.5 mm (+ 3/32) / - 0.5 mm (- 1/64")**



Accessories



SUXX83C_



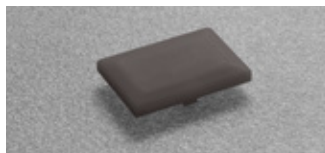
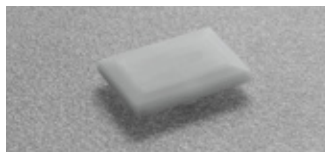
Cover cap for partial overlay Silentia face frame hinges.

- Compatible with overlays from 1/2" to 3/4".
- Nylon
- Available in multiple colors

- Cover caps can be personalized with customer logo upon request
- Minimum order is 10.000 pcs.
- Blank cover cap packaging: 5000 pcs.

SUXX83C**1** = White
SUXX83C**G** = Grey
SUXX83C**6** = Titanium

SUXX83L_



Cover cap for full overlay Silentia face frame hinges.

- Compatible with overlays from 1" to 1 - 3/8".
- Nylon
- Available in multiple colors

- Cover caps can be personalized with customer logo upon request
- Minimum order is 10.000 pcs.
- Blank cover cap packaging: 5000 pcs.

SUXX83L**1** = White
SUXX83L**G** = Grey
SUXX83L**6** = Titanium

SUP337XG



Angle reduction clip for Silentia face frame hinges.
Compatible with all overlays, clips on easy.

Limits opening to 86°.

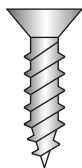
Packaging 500.



Wood screw

DATA FOR ORDERS

PACKAGING: 1 x 100 pcs.

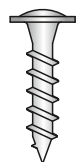


VU73X154

6 x 5/8" FHP

V234X166

6 x 5/8" wood screw in Titanium FHP



VU74X194

8 x 3/4" modified truss head wood screw

Pozi driver

DATA FOR ORDERS

PACKAGING: 1 x 100 pcs.

D2A7XCXCP



SALICE AMERICA Inc.

2123 CROWN CENTRE DRIVE
USA - CHARLOTTE, NC 28227
TEL. 1-800-222-9652/704-841-7810
FAX 704-841-7808
info.salice@saliceamerica.com
www.saliceamerica.com

We reserve all rights to this catalogue under copyright law. It shall not be permissible to duplicate this catalogue in any form either in whole or in part without our written consent. The technical specifications in this catalogue as photographs and drawings are not binding. We assume no liability for any misprints or errors that might occur in this catalogue.